

Adaptor Fitting Instruction Leaflet

The Flettner TCX™ Adaptor enables the Flettner TCX™ Ventilator to be fitted to vehicles which have double skinned roofs.

The adaptor acts as a rigid bridge between the ventilator's clamp plate and the shutter.

The adaptor is supplied in two parts (see [Figure 1](#)). Part A can be cut to the correct length and then bonded to Part B to accommodate a variety of roof thicknesses ranging from 25mm to 150mm (1" – 6").

Fitting Instructions

- (1) Cut a circular hole of diameter 190mm (7.5") into the inner skin of the double skinned roof.
- (2) Remove any filling materials or obstructions in order to provide clear access to the outer skin of the roof from below.
- (3) Follow steps (1) – (8) of the Ventilator Fitting Instructions, noting that the clamp plate should be attached to the underside of the roof's outer skin. Do not fit the shutter directly to the clamp plate.
- (4) Cut Part A of the adaptor to the correct length as shown in Figure 2. The minimum cut length indicated should be equal to the depth from the underside of the roof's outer skin to the underside of the inner skin. Ensure that the cut edge is as true as possible and free from burrs.
- (5) Bond Part A to Part B using an appropriate structural adhesive such as a two-part epoxy. The adhesive should be applied all around the groove in Part B and allowed to set firmly.
- (6) Attach the adaptor to the clamp plate. To ensure a secure fit the three clips on Part A of the adaptor must engage fully with the corresponding three slots on the perimeter of the clamp plate.

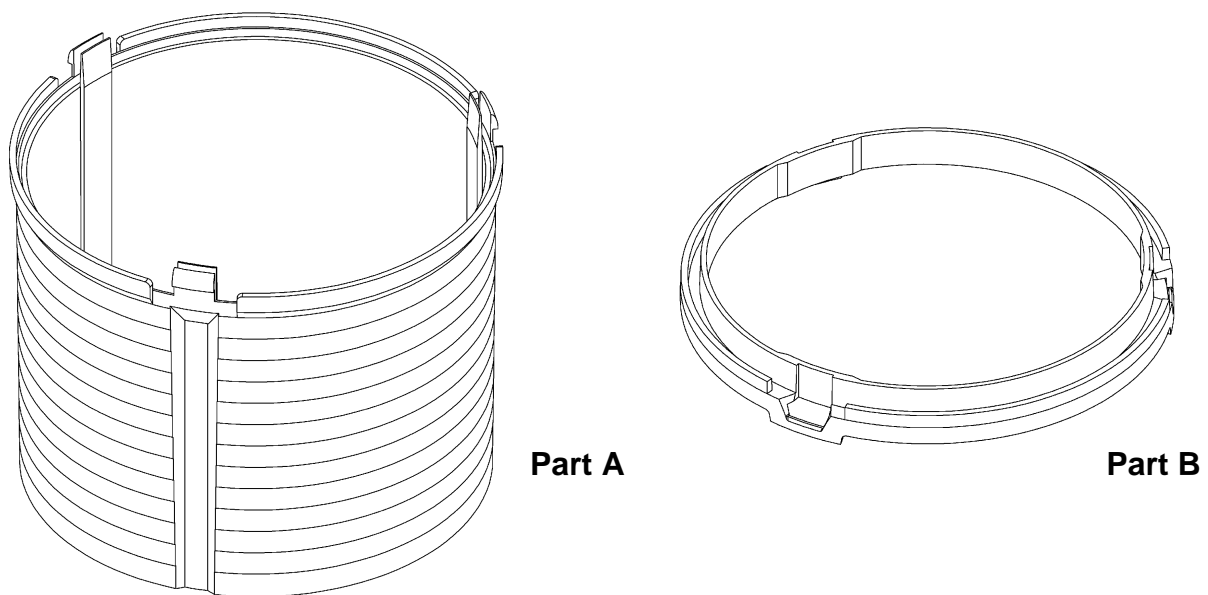
Online Ecommerce Ltd

Suite 12, Barnfield House
Accrington Road
Blackburn
Lancashire
BB1 3NY

Tel: 01254 669550
Fax: 01254 261920
sales@online-ecommerce.co.uk

(7) Attach the shutter to the adaptor by aligning the clips on the shutter with the slots on the adaptor and engaging by pressing firmly home. (The shutter should be set to the closed position when fitting). In situations where restricting the flow of air would pose a risk the blue sliding element should be removed from the black grille before fitting.

Figure 1 – Adaptor Components



Online Ecommerce Ltd

Suite 12, Barnfield House
Accrington Road
Blackburn
Lancashire
BB1 3NY

Tel: 01254 669550
Fax: 01254 261920
sales@online-ecommerce.co.uk

Figure 2 – Assembly Details

